

Tapered top  
See alternatives D  
and E

Riser sections  
as required

Transition slab  
See alternative C

Riser sections  
as required

Bench or sump  
as specified  
Note 1

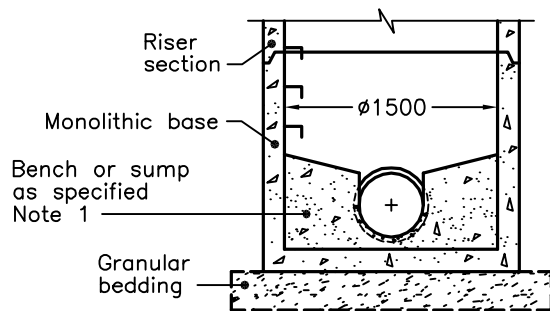
Precast slab base  
See alternatives  
A and B

Granular  
bedding  
300mm  
Typ

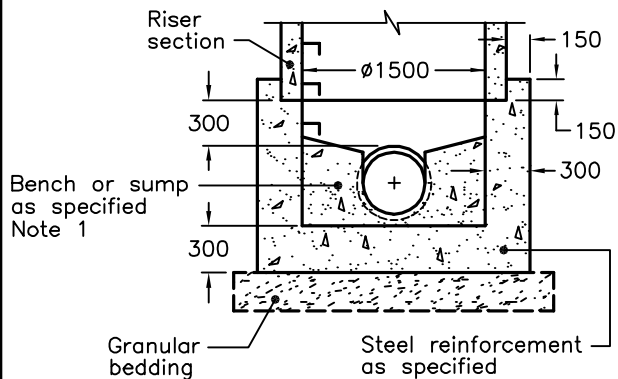
**NOTES:**

- 1 For sump detail, see OPSD 701.010.
- A Granular backfill shall be placed to a minimum thickness of 300mm all around the maintenance hole.
- B Precast concrete components shall be according to OPSD 701.030, 701.031, 701.040, 701.041, 703.011, 703.021, and 706.010.
- C Structures exceeding 5.0m in depth shall include safety platform according to OPSD 404.020 or 404.021.
- D Pipe support shall be according to OPSD 708.020.
- E For benching and pipe opening details, see OPSD 701.021.
- F For adjustment unit and frame installation, see OPSD 704.010.
- G All dimensions are nominal.
- H All dimensions are in millimetres unless otherwise shown.

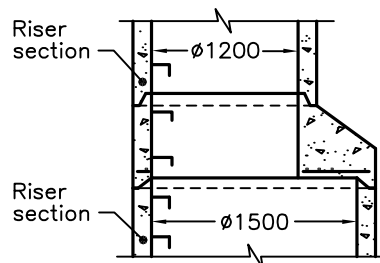
**ALTERNATIVES**



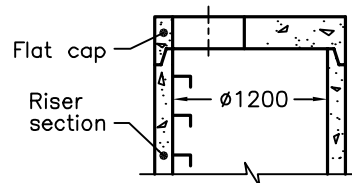
**A PRECAST MONOLITHIC BASE**



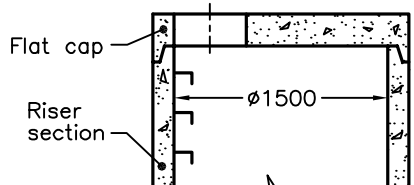
**B CAST-IN-PLACE BASE**



**C TAPERED TRANSITION SLAB**



**D 1200mm PRECAST FLAT CAP**



**E 1500mm PRECAST FLAT CAP**

ONTARIO PROVINCIAL STANDARD DRAWING

Nov 2014 | Rev | 5

**PRECAST CONCRETE  
MAINTENANCE HOLE  
1500mm DIAMETER**



**OPSD 701.011**