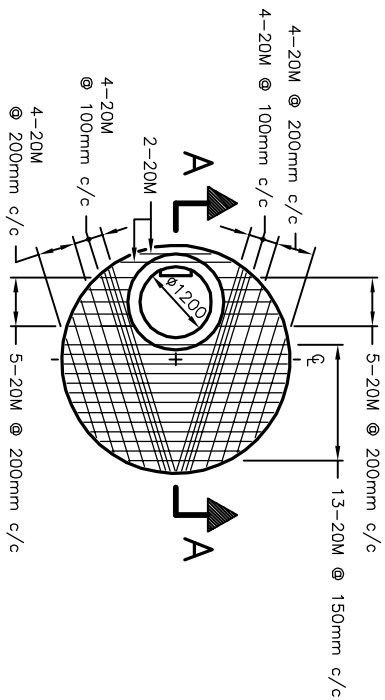


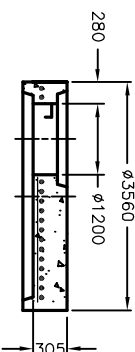
**3000 to 1200mm DIAMETER
MAINTENANCE HOLE**

NOTES:

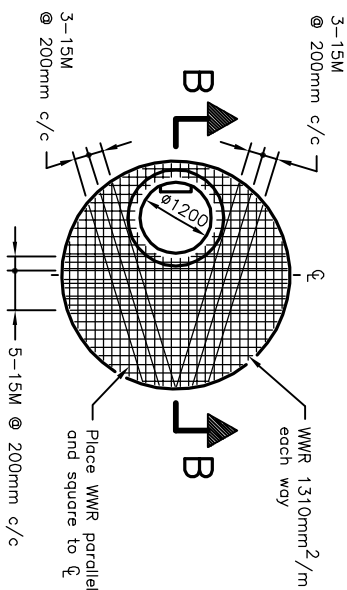
- A This OPSD shall be read in conjunction with OPSP 701.071.
- B All reinforcing steel shall have 25mm minimum cover.
- C Steps shall be according to OPSP 405.010 or 405.020.
- D All dimensions are nominal.
- E All dimensions are in millimetres unless otherwise shown.



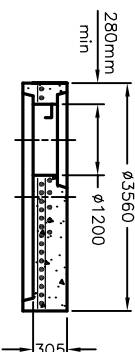
**PLAN OF TRANSITION SLAB
WITH REINFORCING STEEL BARS**



SECTION A-A



**PLAN OF TRANSITION SLAB WITH WWR
AND REINFORCING STEEL BARS**



SECTION B-B

ONTARIO PROVINCIAL STANDARD DRAWING

**PRECAST CONCRETE
MAINTENANCE HOLE COMPONENTS**
3000mm DIAMETER
TRANSITION SLAB

Nov 2014

Rev 3



OPSD 701.070