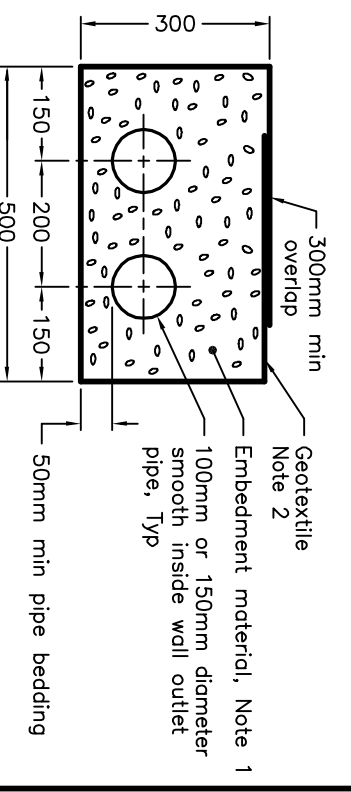
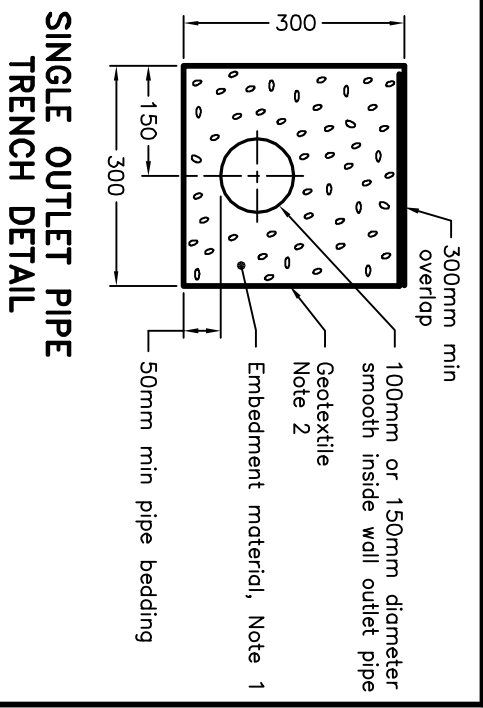
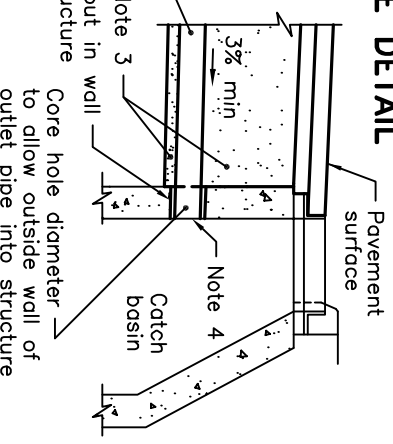


OUTLET PIPE CONNECTION TO CATCH BASIN DETAIL



OUTLET PIPE RUNOUT DETAIL

OUTLET PIPE CONNECTION TO CATCH BASIN DETAIL

DUAL OUTLET PIPE TRENCH DETAIL

- NOTES:**
- 1 Embedment material shall be open graded drainage layer aggregate.
 - 2 Outlet pipe trench embedment material shall be wrapped with geotextile.
 - 3 For catch basin connections, outlet pipe trenches backfilled with granular do not require geotextile wrap.
 - 4 Install outlet pipe flush with inside face of catch basin.

- LEGEND:**
- Open graded drainage layer
 - Granular
 - Concrete pavement

- A** This standard to be read in conjunction with OPSPD 207.041.
- B** Use compatible manufactured fittings for all connectors and couplings.
- C** All dimensions are in millimetres unless otherwise shown.

ONTARIO PROVINCIAL STANDARD DRAWING		Nov 2016	Rev 5
SUBDRAIN PIPE CONNECTION AND OUTLET OPEN GRADED DRAINAGE LAYER			
OPSPD 207.044			

